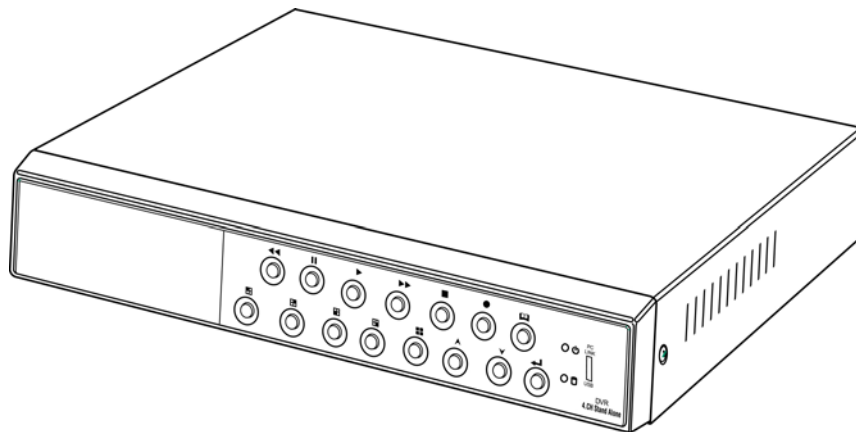


EASY INSTALL SURVEILLANCE KIT



User Guide

DVR-401UKA (With USB Interface)
DVR-401UNKA (With USB Interface & Networking)
DIY SURVEILLANCE KIT (DVR, Camera & Cable)

Regulatory

FCC Certification

This equipment has been tested and found to comply with the limits for a class A digital device, pursuant to Part 15 of the FCC rules. These limits are designed to provide reasonable protection against harmful interference when the equipment is operated in a commercial environment. This equipment generates, uses, and can radiate radio frequency energy and, if not installed and used in accordance with the instruction manual, may cause harmful interference to radio communications. Operation of this equipment in a residential area is likely to cause harmful interference in which case the user will be required to correct the interference at their own expense.

CE Mark

This product is marked with the CE symbol and indicates compliance with all applicable EEC directives.

CONTENTS

■ System Introduction -----	1
■ Package Content -----	2
■ Five Steps to install Surveillance KIT-----	3
■ How to Install / Exchange HDD -----	4
■ DVR Front Panel Buttons -----	5
■ DVR Back Panel Buttons -----	6
■ Video Output Connection (To TV/Monitor) -----	7
■ Video Input Connection (Camera) -----	8
■ Sensor Installation -----	9
■ Alarm Installation -----	10
■ Switch on the DVR -----	11
■ Record -----	12
■ OSD Operation Guide : Play Menu -----	13
■ OSD Operation Guide : Main Menu -----	14
■ OSD Operation Guide: Record Select -----	15
■ OSD Operation Guide: Record Mode -----	15
■ OSD Operation Guide: Frame Rate -----	15
■ OSD Operation Guide: Video Quality -----	15
■ OSD Operation Guide: Schedule Record -----	16
■ OSD Operation Guide: Sub Menu -----	17
■ OSD Operation Guide: Change Password -----	17
■ OSD Operation Guide: Time Setup -----	18
■ OSD Operation Guide: Buzzer Setup -----	18
■ OSD Operation Guide: Auto Record Setup -----	18
■ OSD Operation Guide: Audio Record Setup -----	18
■ OSD Operation Guide: Audio Mute -----	19
■ OSD Operation Guide: Audio Channel Select -----	19
■ Hard Drive Set Up -----	20

■ OSD Operation Guide: Over Write -----	20
■ OSD Operation Guide: HDD Size and HDD used -----	20
■ OSD Operation Guide: HDD Format -----	20
■ OSD Operation Guide: Sensor Setup Menu -----	21
■ OSD Operation Guide: Motion Setup Menu -----	22
■ How to backup through USB to PC -----	23
■ Print Event -----	25
■ Network Setup (DVR-401UNKA ONLY) -----	26
■ Remote Surveillance Software (DVR-401UNKA ONLY) -----	29
■ Remote Monitor Settings (DVR-401UNKA ONLY) -----	31
■ Motion Detection Setting (DVR-401UNKA ONLY) -----	32
■ Appendix I: Video Record Time -----	33
■ Appendix II: DVR Specification -----	34
■ Appendix III: System Illustration -----	35
■ Appendix IV: Camera Selection -----	36

SYSTEM INTRODUCTION

Easy Install Surveillance Kit is a CCTV surveillance system for home and small office uses. Connecting four cameras to DVR (Digital Video Recorder), you can enjoy various functions DVR provides.

The Digital Video Recorder (DVR) is for recording / retrieving video streams up to 4 channels at the same time. It adapts a digital image compression technology to compress the input channel video streams, and uses a HDD (Hard Disk Drive) to record the compressed video stream.

System	Video Output Connection to TV / Monitor Video Input Connection for CCTV Cameras USB : Download Pictures to PC / Laptop Internet : Remote Surveillance (DVR-401UNKA only) Advance User : Sensor / Alarm Installation
Camera	The CCTV installation kit contains CCTV cameras which are capable of Indoor & Outdoor (WATERPROOF) Use and Day & Night use (Built-in IR LED)
Functions (Built-in DVR)	Four Pictures in One Screen for monitoring OSD Operation Record in HDD / Schedule Record Playback (1x, 2x, 4x, 8x, 32x, 64x) : Reverse Play (1 x) Motion Detection USB Data Transfer Remote Surveillance (DVR-401UNKA ONLY)
Installation	Plug & Play One Power System

Package Content

DVR-401UKA DVR-401UNKA	DVR-401UKA/DVR-401UNKA x 1 DVR POWER TRANSFORMER x 1 DVR VIDEO OUTPUT CABLE x 1 BNC to RCA CONNECTOR x 1 USB CABLE x 1 CD DISK x 1 Manual Book x 1
CCTV Surveillance KIT	DVR-401UKA or DVR-401UNKA x 1 COLOR DAY AND NIGHT CAMERAS x 4 (With Lens, Bracket and IR LED) DIY CABLE (50 FT) x 4 DVR POWER TRANSFORMER x 1 DVR VIDEO OUTPUT CABLE x 1 BNC to RCA CONNECTOR x 1 CD DISK x 1 Manual Book x 1

Five Steps to install Surveillance KIT

1. DVR SETUP

i. **Decide where to place DVR**

➡ Choose the place close to TV (Video Out) if possible.

ii. **Install HDD if necessary (Page. 4)**

➡ You may need to install HDD by yourself if the HDD is not built in.

iii. **Connect DVR to TV (Page. 7)**

➡ If your TV / Video Out Device has

- BNC => Please connect directly

- RCA => Please fix converter in cable and connect.

iv. **Plug the transformer into power and supply DVR power.**

2. CAMERA SETUP

i. **Decide where to install Camera.**

➡ Fix Mounting bracket on ceiling or roof

ii. **Install Camera (Page. 8)**

➡ Put Camera on bracket & adjust angel.

3. WIRING

➡ Simply connect two ends in wires, one end to DVR, one end to camera (Page. 8)

4. DVR TESTING

➡ Turn on DVR POWER (Page. 11)

➡ Testing DVR functions like Monitoring, Recording, playback & etc.

5. ADVANCE SETTING

➡ Motion Detection Setup (Page. 22)

➡ USB Function (Page. 23)

➡ INTERNET Function Setup (Page. 26)

➡ SENSOR / ALARM INSTALLATION (Page. 9 / 10)

How to Install HDD / Exchange in DVR

NOTICE:

PLEASE CHOOSE HDD IN COMPATIBLE LIST WITHIN THE PACK.

1. Simply using screw driver to remove SEVEN screws in DVR.

Two screws on the left side of DVR

Two screws on the right side of DVR

Three screws on the back side of DVR



2. Uncover DVR upper cap



3. Connect HDD Cable in DVR with Hard Disk
(DATA CABLE & POWER CABLE)



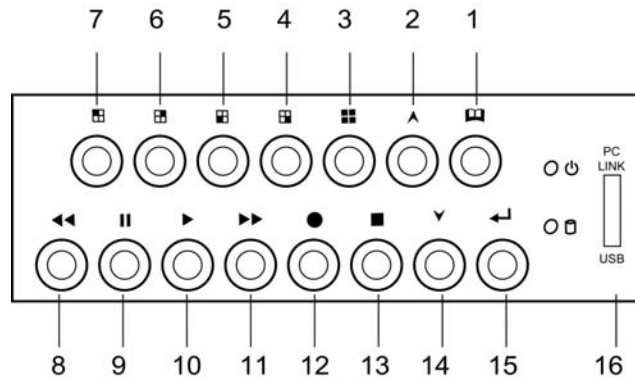
4. Fix HDD in the HDD racket of DVR

Use the screws in HDD PACKAGE to tighten HDD



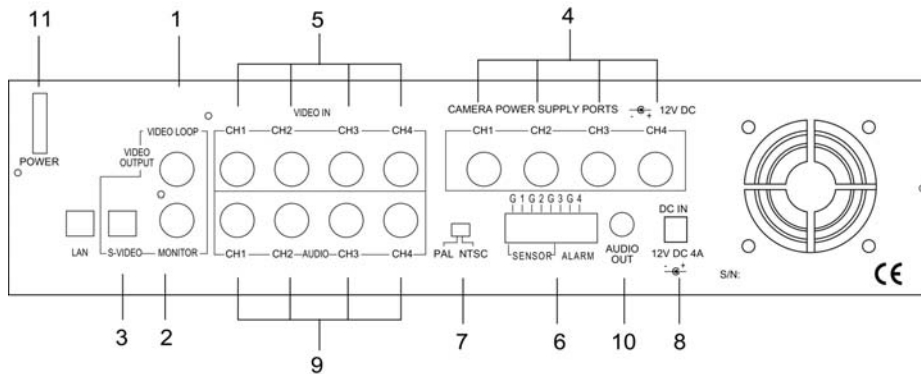
5. Cover the upper cap of DVR and tighten SEVEN screws on.

DVR Front Panel Buttons



1. **Menu button** : Press to display Operation menu option
2. **Up button** : used in menu
3. **All channels button** : Press to display all channels
4. **Channel 4 button** : Press to display channel 4
5. **Channel 3 button** : Press to display channel 3
6. **Channel 2 button** : Press to display channel 2
7. **Channel 1 button** : Press to display channel 1
8. **Reverse** : Press to rewind playback
9. **Pause button** : Press to pause playback
10. **Playback button** : Press to start playback
11. **Fast forward button** : Press to play the recorded stream faster
12. **Recording button** : Press to start recording
13. **Stop Recording / Stop Playback button** : Press to stop recording or playback .The authorized password is requested upon stopping recording .Default password is **111111**. **(Refer to page 17)**
14. **Down button** : Used in menu
15. **Select button** : Change the setting value or enter into a sub menu
16. **USB Link Port**

DVR Back Panel Functions



1. VIDEO Output (BNC ONE) to TV / Monitor
2. VIDEO Output (BNC TWO)
3. S-Video Output
4. Camera Power Supply (To Camera)
5. Video Input (For Camera)
6. Sensor / Alarm Input
7. Video Format Switch (NTSC / PAL)
8. DVR Power In (DC- in, 12 volts, 4.0A)
9. AUDIO INPUT
10. AUDIO OUTPUT
11. Power Switch

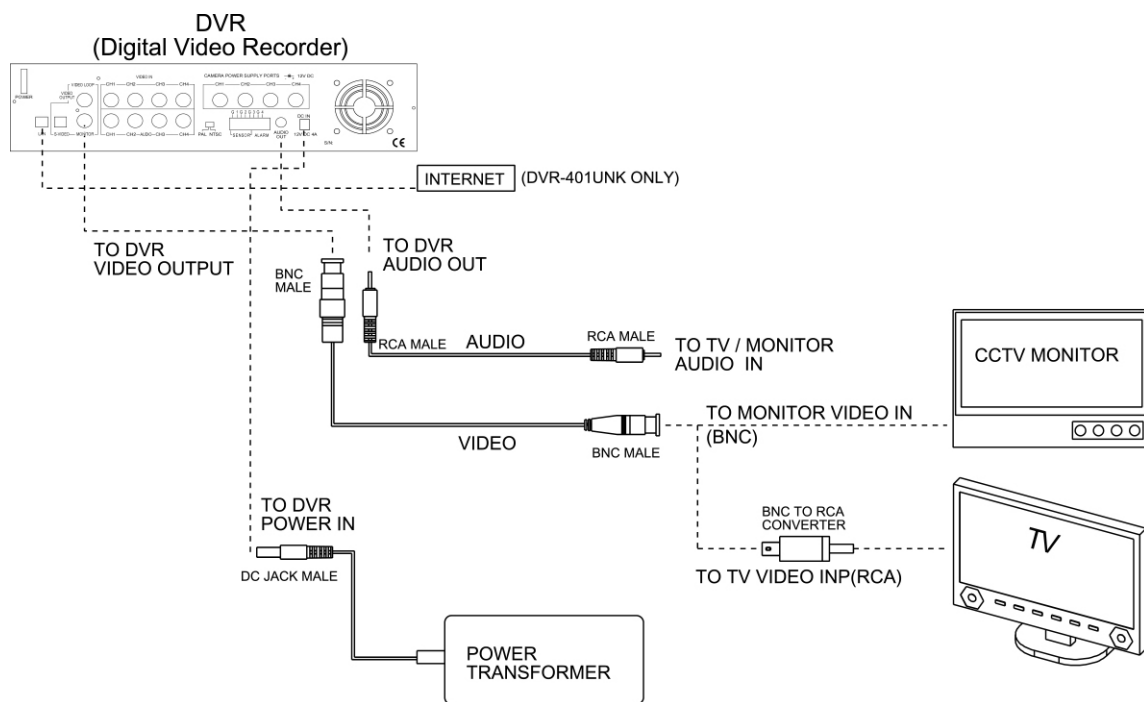
Video Output Connection (TV or Monitor)

Connect a TV (Monitor) to the DVR using one of the video output connectors. The DVR provides 1 x S-Video and 2 x BNC video outputs.

The below figure shows the video line connection.

WHAT'S BNC => IT'S CONNECTOR FOR YOUR CABLE TV INPUT IN TV.

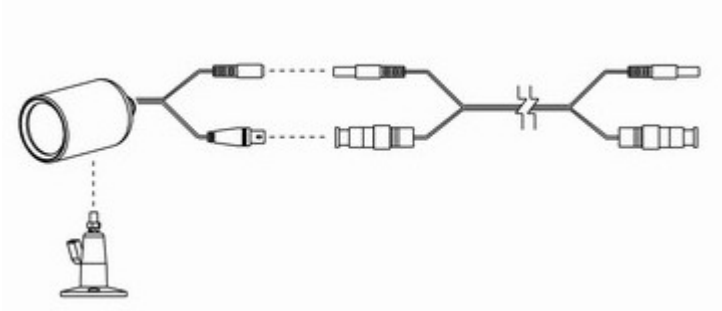
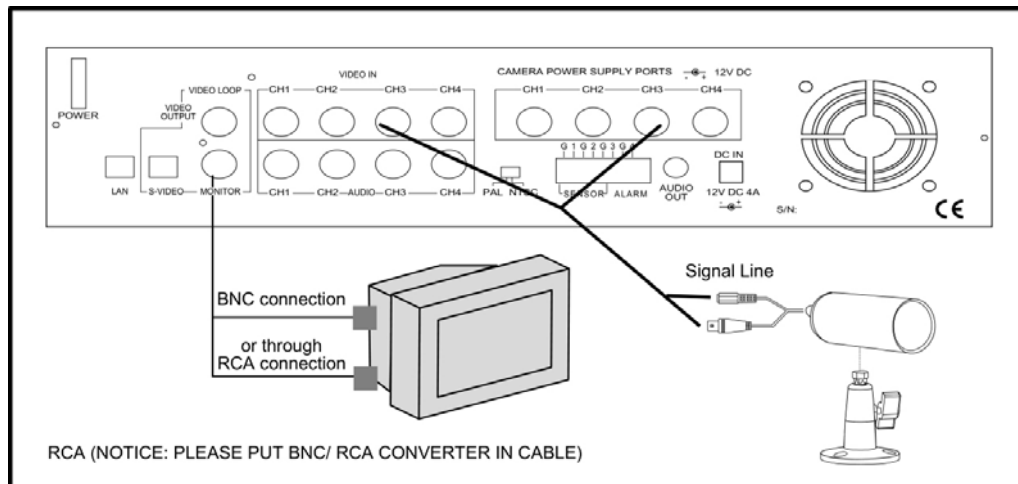
WHAT'S RCA => IT'S CONNECTOR FOR YOUR VCR / PS2 INPUT IN TV.



Video Input Connection (Camera)

Connect cameras to the DVR. The DVR provides 4 x BNC connectors. The camera installation procedure is shown below:

- I. Connect the video signal line and power to the DVR.
- II. Connect the video signal line and power to camera.

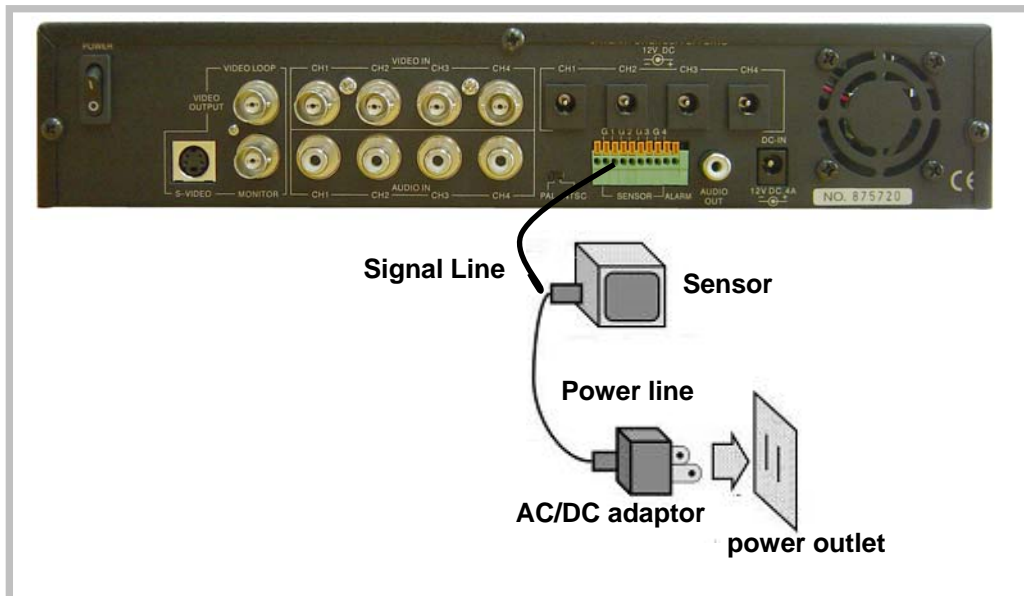
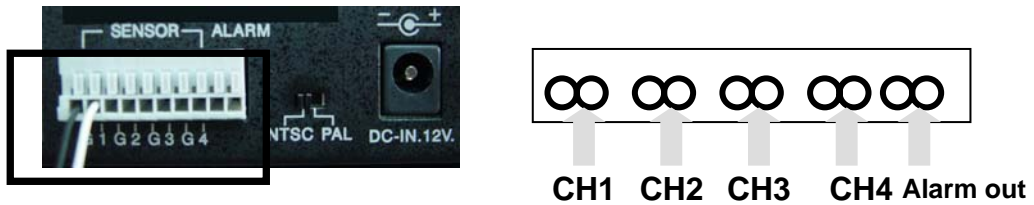


Advanced Installation

Sensor Installation

The DVR has 4 sensor inputs, one for each channel. The sensor Installation Procedure is as the following:

- I. Connect the sensor signal line to the unit. The sensor signal terminal is on the DVR rear panel.
- II. Connect the sensor adaptor jack into the sensor, and plug in the power adaptor.



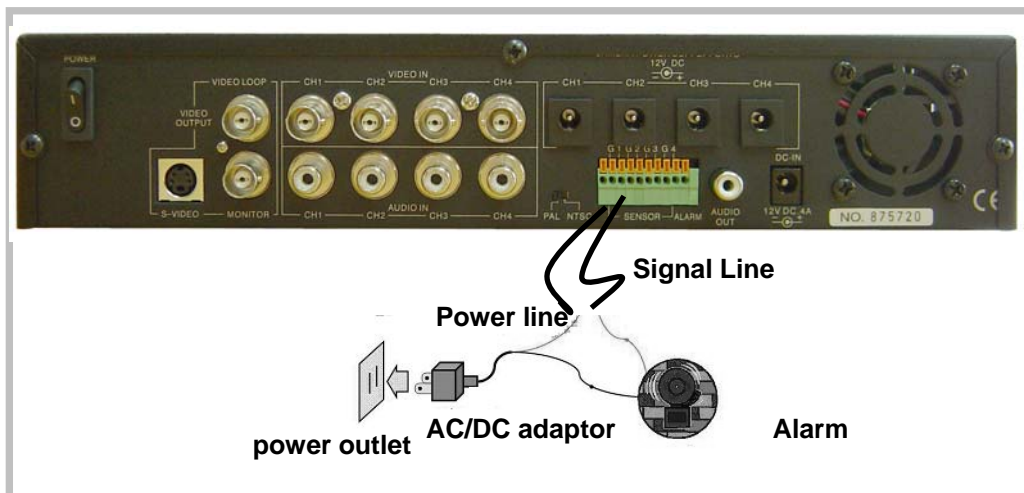
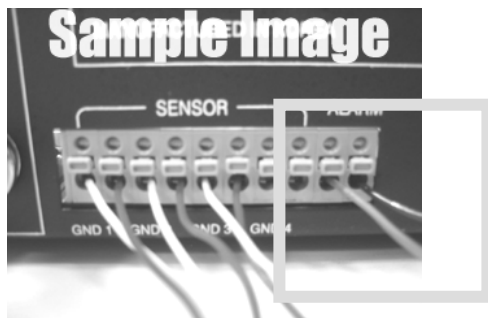
Advanced Installation

Alarm Installation

The DVR includes one internal switch for sounding an alarm when any of the sensor inputs is activated. The switch is normally open and closed upon activation.

The circuitry is shown in the above figure. The alarm is installed as follows:

- I. The alarm requires a power supply, which is normally supplied with the alarm.
- II. Connect the alarm power line to the alarm switch terminal on the rear of the DVR.



Switch On the DVR

Before turn on the power, please make sure Video Format is in right position
NTSC Area : North America, Japan, Philippines, Taiwan & etc.
PAL Area : Europe, South America, Australia, Mid-East & Africa
Asian Countries most use PAL like Indonesia, Thailand, Malaysia and etc.

Once the DVR and HDD have been properly installed (please refer to pages 3 ~ 8 for further details about DVR installation) the unit is ready to record and display. Apply power and switch on.

Following power on, the DVR takes a few seconds checking the HDD. If a new hard drive is detected, DVR will format the drive automatically. One of the below messages are displayed:

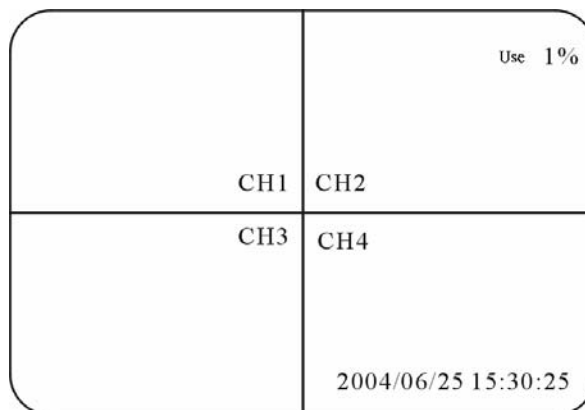
HDD Checking
Master 160072 MB.

HDD Checking
Master
160072MB
New HDD format completed
Slave
No HDD Detected

Press **II** Pause button 6 times will restore the unit to factory settings. "DVR Reset Completed" message will be displayed on the monitor and requests a restart of the DVR.

Record

Press ● button on the front panel to start record. The DVR will record the selected images and save them onto the HDD. A sample of recording a quad view is shown below:



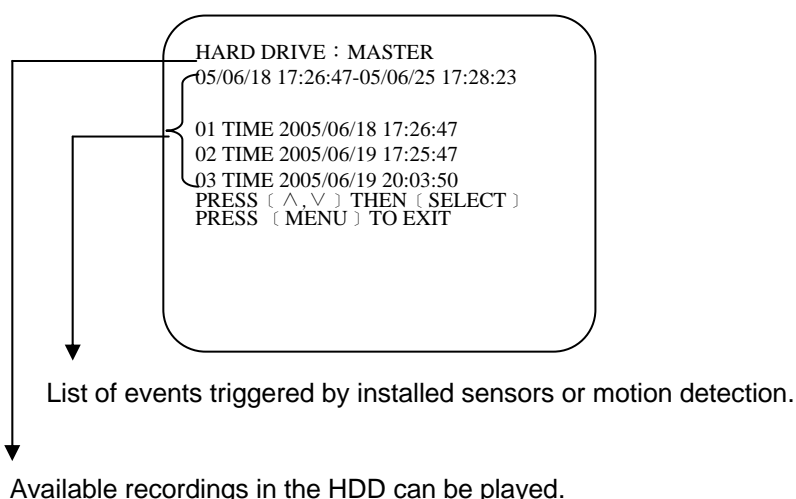
A circular symbol ● displayed on the screen indicates the activation of recording. Any specific channel or quad view can be displayed on the monitor by pressing the appropriate Channel Select button while recording is in the process.

Press the ■ button to stop video recording. The DVR will prompt for a password to stop video recording, the default password is set to "111111" (Refer to Page 17) – use the Channel 1 Select button to input the value "1". Refer to "Operation Guide: Sub Menu" in order to change password.

This DVR provides independent functions of recording and displaying. This DVR unit is capable of recording selected channel images without displaying them on the monitor or displaying non-selected images. See "Operation Guide: Camera Select" and "Operation Guide: Record Select" menus for camera selection and record selection.

Play Menu

Press ► (play button) to open the playback menu as shown below.



Pressing ►► button to start time and date search mode.

Position the cursor using the ▲ and ▼ buttons to select the date and/or time. Use ← button to cycle through the available options. After reaching the desired option use the ▲ and ▼ buttons to move onto the next variable. When the correct date and time has been entered press ► button to start the playback.


Use ►► button to speed up the playback rate. Pressing twice doubles the playback speed. Pressing the ◀◀ button reverses the playback.

When the menu first appears the cursor is set to the first logged event. Press ► button to playback that event or use the ▲ and ▼ buttons to select another listed event.

Press || button to pause playback

Press ■ button to stop playback.

MAIN MENU

Press the  button to display the main menu.


```
CAMERA SELECT      1234
RECORD SELECT      1234
RECORD MODE        EACH
RECORD FRAMERATE   30
VIDEO QUALITY      HIGH
RECORD SCHEDULE
=SUB MENU=
HARD DRIVE SETUP
SENSOR SETUP
NETWORK SETUP
PRESS ( ^, v ) THEN ( SELECT )
PRESS ( MENU ) TO EXIT
```


Use the ▼ and ▲ buttons to move the cursor up and down.

Press ↵ to enter the selected sub-menu.

Use the ▼ and ▲ buttons to position the cursor.

Press ↵ to cycle through until reaching the desired option.

Press  to make the selection and return to the main directory.

Press  to return to real time display.

Operation Guide: CAMERA SELECT

Used to select and display (on the menu bar) the number of cameras connected to the DVR.

The Video Loss buzzer is enabled if a camera is selected in this menu but there is no video signal presenting on that channel.

Use the ↵ to cycle through the options, some examples are shown below:


(1 2 3 4) : Cameras 1, 2, 3 and 4 have been selected.

(12--) : Cameras 1 and 2 have been selected.

(-2 3-) : Cameras 2 and 3 have been selected.

(----) : No cameras have been selected.


Operation Guide: RECORD SELECT

Used to select the cameras whose video inputs will be recorded on the HDD. Desired cameras must be pre-selected in the "Camera Menu" in order to perform recording properly. Use ← to cycle through the options. Press  to make the selection and return to the main directory.

NOTE: Desired channels cannot be recorded properly if the corresponding cameras are not pre-selected in the "Camera Menu."

Operation Guide: RECORD MODE

Can be set to either "EACH" or "QUAD". When set to "EACH" all selected cameras (in the Record Select menu) are recording on the HDD in full screen. When set to "QUAD" all selected cameras (in the Record Select menu) are recorded on the HDD as a quad screen image.

Use ← to cycle through the options.
Press  to make the selection and return to the main directory.

Operation Guide: RECORD FRAME RATE

The default value is 30 fps for NTSC and 25 fps for PAL. There are a number of different frame rate settings:


NTSC: 30fps, 15fps, 10fps, 7fps, 5fps, 4fps, 3fps, 2fps, 1fps

PAL: 25fps, 12fps, 8fps, 6fps, 4fps, 3fps, 2fps, 1fps

Higher frame rate makes the video stream look more real when it's played back but will use the greatest amount of HDD storage.


The frame rate is divided by the number of cameras selected in the Record Select menu, for example:

If the frame rate is set to 25fps (PAL) and four cameras have been selected then each camera will be recorded at 6.25fps.

Use ← to cycle through the options.
Press  to make the selection and return to the main directory.

Operation Guide: VIDEO QUALITY

There are three options for video quality, HIGH, NORMAL and LOW. Higher video quality makes video more clear and real. Please refer the Page 33 for video record time at different video quality and record frame settings.

Use ← to cycle through the options.
Press  to make the selection and return to the main directory.

Operation Guide: SCHEDULE RECORD

```

MAIN MENU
CAMERA SELECT 1234
RECORD SELECT 1234
RECORD MODE   田
RECORD FRAMERATE 30
VIDEO QUALITY HI
➤RECORD SCHEDULE
SUB MENU
HARD DRIVE SETUP
SENSOR SETUP
    
```

Select this option to change a recording schedule during a day (24-hour period)

```

Record Schedule
+SSSSSSSSSSSSSSSSSSSSSSSSSSSSSS+
|  |  |  |  |  |  |  |  |  |  |  |
| 0  3  6  9 12 15 18 21 24
|  |  |  |  |  |  |  |  |  |  |  |
T:TIME S : SENSOR " : NONE
PRESS ( , ) THEN ( SELECT )
PRESS ( MENU ) TO EXIT
    
```

Numbers below indicate the time duration in 24 hour format.

(T) 24-hour recording.

(S) Motion recording.

The DVR only starts recording when an event (motion or GPIO) is triggered.

Use ▼ and ▲ buttons to position the cursor at each hourly interval.

Press ← button to choose one of the three settings.

Press 田 to return to the main menu.

SETTING EXAMPLE:

0:00 ~ 7:00 SENSOR RECORDING

7:00 ~11:00 RECORDING DISABLED

11:00 ~18:00 RECORDING

18:00 ~24:00 SENSOR RECORDING

```

+ S S S S S - - - T T T T T T T S S S S S S +
  :           :           :           :           :
  0           6           11          18          24
    
```

SENSOR RECORDING INSTALLATION (MOTION)

The DVR has 4 alarm inputs that can be configured as normally closed, normally open, motion detection +NC and motion detection +NO on the "SENSOR SETUP" menu.

NOTE

NOTICE : AUTO RECORD

In PC LINK mode the Auto Record Function is disabled. Recording will start again automatically 55 seconds after the USB cable is disconnected.

Operation Guide: SUB MENU

SUB MENU
>PASSWORD CHANGE
TIME SET
BUZZER SOUND [OFF]
AUTO RECORD [OFF]
AUDIO RECORD [ON]
AUDIO OUT MUTE [OFF]
AUDIO CHANNEL [1]

Sub Menu allows users to change system password, system date and time, as well as various audio functions and auto record. Use (▲▼) to move cursor and select. Press (←) to either cycle through the options or enter subsidiary menus.

Operation Guide: PASSWORD CHANGE

PASSWORD CHANGE
CURRENT PASSWORD: -----
NEW PASSWORD:-----
PASSWORD CONFIRM:-----

In the situation of requesting stop recording or HDD formatting, the DVR prompt for password to perform.


Select "PASSWORD CHANGE" - The default password is 111111.

Enter the requested data.

NOTE

FRONT PANEL BUTTONS DEFINITION

 means "1"

 means "2"

 means "3"

 means "4"

▲ means "5"

● means "6"

◀ means "7"

■ means "8"

|| means "9"

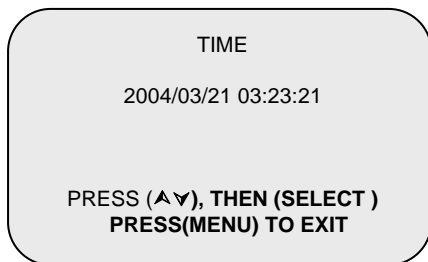
▶ means "0"

NOTICE: WHAT IF I FORGET PASS WORD?

If the password is mislaid or forgotten press the (||) Pause button 6 times, which returns the DVR to the default setting(11111).

The password can then be changed again.

Operation Guide: TIME SETUP

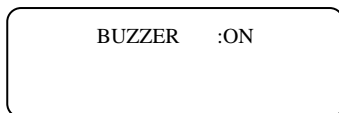


▼ and ▲ -- Position Year, Month, Day, Hour, Minute or Seconds.

← -- Cycle through options (0,1,2 ...9)

☰ -- Exit

Operation Guide: BUZZER SETUP



Use the ▼ and ▲ to select buzzer options
Press ← to choose ON/OFF.
Press ☰ to return to the main menu.

ON: DVR buzzer sounds when video input signal loss is detected.

Operation Guide: AUTO RECORD SETUP



Press ← to choose ON/OFF.
Press ☰ to return to the main menu.

ON: DVR records automatically after one minute even DVR is under display mode.

Operation Guide: AUDIO RECORD SETUP



Use the ▼ and ▲ to select audio record options
Press ← to choose ON/OFF.
Press ☰ to return to the main menu.

ON: DVR records audio from selected channel.

Operation Guide: AUDIO MUTE

AUDIO OUT MUTE :ON

Use ▼ and ▲ to select audio out mute.
Press ↵ to choose ON/OFF.
Press 📖 to return to the main menu.

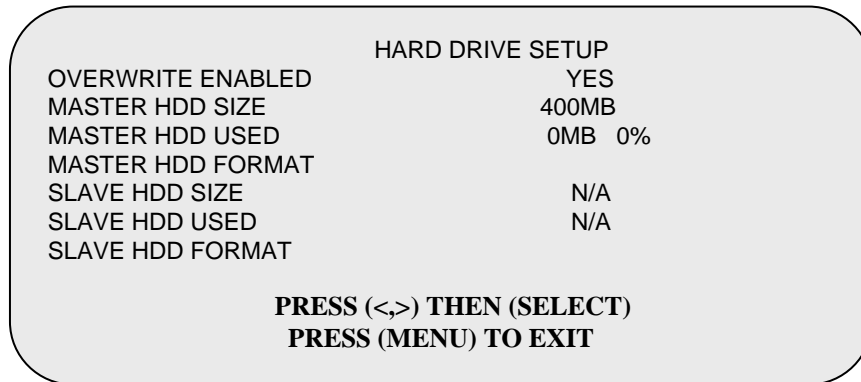
Operation Guide: AUDIO CHANNEL SELECT

AUDIO CHANNEL :1

Use ▼ and ▲ to select audio channel.
Press ↵ to cycle through options.
(Channel 1,2,3,4)
Press 📖 to return to the main menu.

DVR only records one channel of audio.

Hard Disk Drive Setup Menu



Operation Guide: OVER WRITE

“YES”. The DVR will record continuously and overwrite the recorded data when the HDD is full.

“NO”. The unit will stop recording once the HDD is full.

Use ▼ and ▲ to select OVERWRITE ENABLED.

Press ← to choose YES/NO.

Press 📖 to return to the SUB menu.

Operation Guide: HDD SIZE AND HDD USED

Displays the storage capacity of the Master (and if installed the Slave HDD) and the amount of Storage used.

Operation Guide: HDD FORMAT

Use the ▼ and ▲ buttons to select the “HDD Format” option

Use the ← button to select the format option.

The system prompts for a password. If the password is accepted the format will commence and delete all images stored on the selected HDD.

If an incorrect password is entered the system will display a message showing “Password Incorrect” and return to the Hard Drive Setup menu.

SENSOR SETUP MENU

SENSOR SETUP
SENSOR RECORD TIME 15
ALARM ON TIME 20

SENSOR SET UP
MOTION SETUP

PRESS (<,>) THEN (SELECT)
PRESS (MENU) TO EXIT

SENSOR RECORD TIME:

Recording duration once sensor
Being triggered.
Selects record time from 0 ~180 seconds.

ALARM OUT TIME:

It controls how long (in second)
the alarm sounds after being triggered.
Selects alarm ON time from 0 ~ 30 or
continuous.

SENSOR SET UP

Use the ▼ and ▲ buttons to select
channels 1 ~ 4.

Use the ← button to select options
(Normal Open/Close)

Press the  button to exit

In normal open mode

the cable line Connected between
the sensor and the unit is cut off by
an intruder, the unit starts recording.

In normal close mode,

the cable line connected between
the sensor and the Unit is cut off by
an intruder , the unit stops recording.

SENSOR SETUP

CHANNEL-1 NOT INSTALL
CHANNEL-2 TYPE:NORMAL-OPEN
CHANNEL-3 TYPE:NORMAL-CLOSE
CHANNEL-4 TYPE:NORMAL-OPEN

PRESS (<,>) THEN (SELECT)
PRESS (MENU) TO EXIT

MOTION SETUP MENU

MOTION DETECTION

CHANNEL-1 SENSITIV 0 (OFF)
AREA SETUP
CHANNEL-2 SENSITIV 1
AREA SETUP
CHANNEL-3 SENSITIV 5
AREA SETUP
CHANNEL-4 SENSITIV 2
AREA SETUP
PRESS (<,>) THEN (SELECT)
PRESS (MENU) TO EXIT

MOTION SET UP

SENSITIVITY: Sets the sensitivity level for Motion Detection. 0 (OFF) to 5 (maximum sensitivity).

▼ and ▲ buttons to select the sensitivity for each Channel

←button to select the level.

AREA SETUP: Used to define up to two zones per Channel where motion is to be detected.

Selecting a "Channel Area Set Up" brings that Channel up full screen on the monitor.

A rectangle is displayed, which will define the top left hand corner as the first motion detection zone. Use ▼ and ▲ buttons to move the rectangle up and down and ► and ◀ buttons to move the rectangle left and right. Use ←button to set the position and start to set up the motion detection territory. Then use ▼, ▲, ►, and ◀ to define the territory.

Press ←button for the second motion detection zone and repeat the procedure above to define its motion detection

How to Backup through USB port to PC

Backup through USB port



The unit provides one USB port to simple backup over the connection with PC. Please mind the following steps to successful link.

Step 1.

Connect the one USB side to DVR

Step 2.

Connect the other USB side to PC.

Step3.

The “linking” will take around 30sec.

Step4.

It shows USB device icon in the lower PC tool bar, which means the USB is successfully linked.

Step 5.

Open the PC viewer on PC, once PC identifies one unknown Hardware device ”

Warning: Please don't press any DVR control buttons during linking, it would likely lead to unpredictable Error on your PC. Once the PC Link has been activated the DVR play and record functions will be inoperable as control is passed to the connected PC.

Notice:

1.the unit employs USB 2.0, so it will take around 5 min to hand shake with USB 1.0.

2. Before operating backup over USB, please install PC viewer software into your PC. Never run PC viewer software in CD Rom.

3. Using “**USB Player**” (Software in CD) to backup via USB.

There is a USB device icon show on your screen when PC detects DVR HDD.

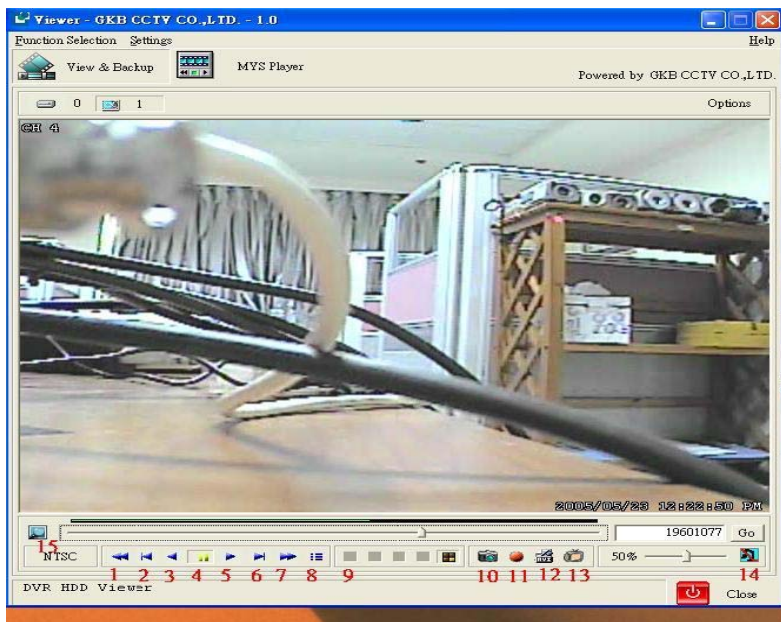


NOTE:

Before attempting to make PC Link using the USB ports please make sure that the DVR is not in Record or Playback mode.

Hints :

When PC detects USB storage setup, PC has connected DVR host already. Switch on PC LINK play program for 20~30 seconds, you can see following footage.



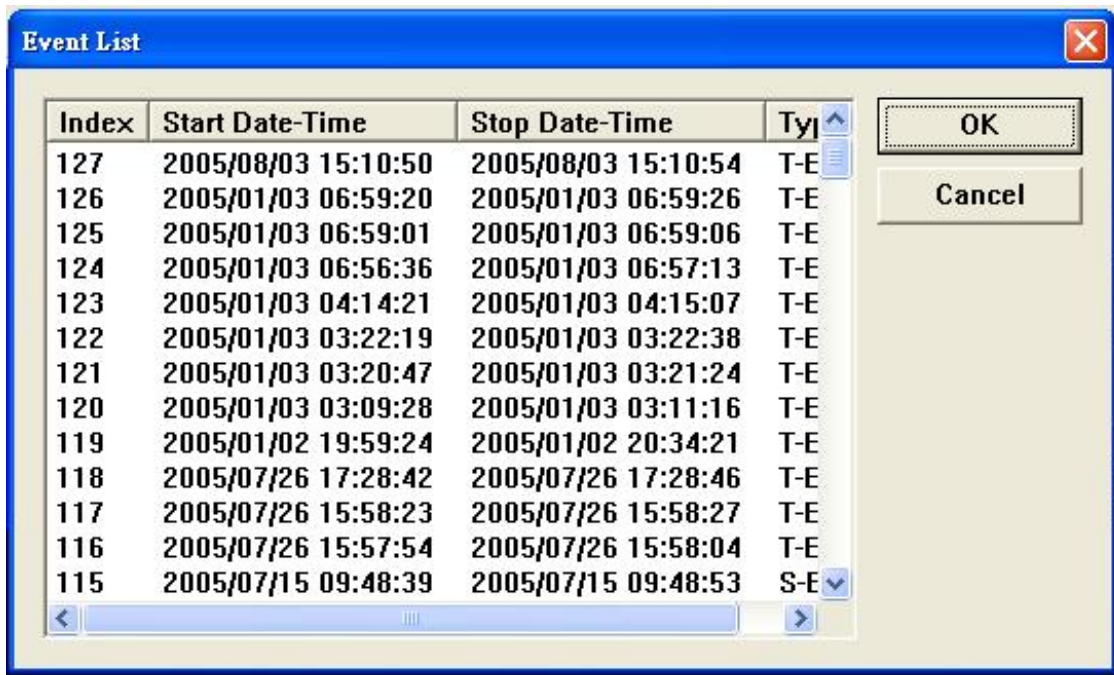
1. Fast rewind
2. Play next frame
3. Rewind
4. Pause
5. Play
6. Play previous play
7. Fast forward
8. EVENT Search

9. Channel selection
10. BMP picture file
11. Convert video to MYS file.
12. Convert video to AVI file.
13. MYS player
14. SOUND ON/OFF
15. Video search bar

If there is no picture, HDD is not detected. Close the software of USB LINK and disconnect the USB cable. Five seconds later , connect the USB cable again. When the USB device is detected by the system , run USB LINK software.

PRINT EVENT

Move the mouse to 8 (Event search), and select the event you want. Then, click OK to play the event recorded. The menu is shown below.



Copy the images and record the images

DVR host play program offers dynamic and static image output. You can easily copy the static image, and store it in BMP file, or store a certain part of record in AVI file. The converted images can be played by PC software (such as Media Player).

Hints :

USB LINK work system supports Win 2000 / XP.

Recommended brands of hard disk: MAXTOR · Seagate

NETWORK SETUP (For DVR-401UNKA Only)

NETWORK SETUP
ACCEPT CLIENT [YES]
MAC ADDRESS: **00:01:00:01:25:46**
IP ADDRESS: **192.168.0.2**
SUBNET MASK: **255.255.255.0**
GATE WAY: **192.168.0.1**
PORT: 14337-14338

MAC ADDRESS

Enter the unique Ethernet MAC (Media Access Control) address of the DVR.
The MAC address is also used as the DVR Serial Number .

IP ADDRESS

Enter the IP (Internet Protocol) address. This is usually assigned by the network administrator.

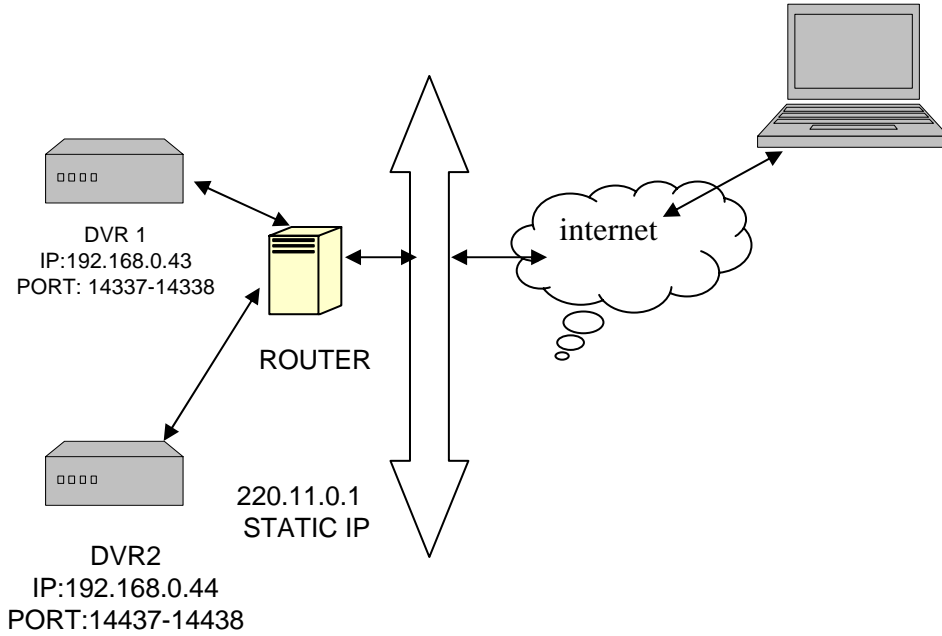
SUBNET MASK

Enter the IP Subnet Mask. This is usually assigned by the network administrator.
Commonly 255.255.255.0

GATEWAY

Enter the IP Gateway address. This is usually assigned by the network administrator.

Multiple DVR Connection Setup (supports a maximum of 7 DVR's.)



ROUTER SETUP

虛擬伺服器

ID	服務埠 (Ports)	伺服器 IP	啓動
1	5631-5632	192.168.0.9	<input checked="" type="checkbox"/>
2	65301	192.168.0.9	<input checked="" type="checkbox"/>
3	211-213	192.168.0.9	<input checked="" type="checkbox"/>
4	14337-14338	192.168.0.43	<input checked="" type="checkbox"/>
5	14437-14438	192.168.0.44	<input checked="" type="checkbox"/>
6		192.168.0.	<input type="checkbox"/>
7		192.168.0.	<input type="checkbox"/>
8		192.168.0.	<input type="checkbox"/>
9		192.168.0.	<input type="checkbox"/>
10		192.168.0.	<input type="checkbox"/>
11		192.168.0.	<input type="checkbox"/>
12		192.168.0.	<input type="checkbox"/>

14337 points to IP address: 192.168.0.43
14437 points to IP address: 192.168.0.44

DVR SETUP

DVR1

MAC ADDRESS: Use the address supplied.

IP: 192.168.0.43

SUBNET MASK: 255.255.255.0

GATE WAY: 192.168.0.1

PORT: 14337-14338

DVR2

MAC ADDRESS: Use the address supplied.

IP: 192.168.0.44

SUBNET MASK: 255.255.255.0

GATE WAY: 192.168.0.1

PORT: 14437-14438

Client software to connect DVR's.

1. Use the following to connect DVR 1

IP address:220.11.0.1

Port:14337-14338

2. Use the following to connect DVR 2

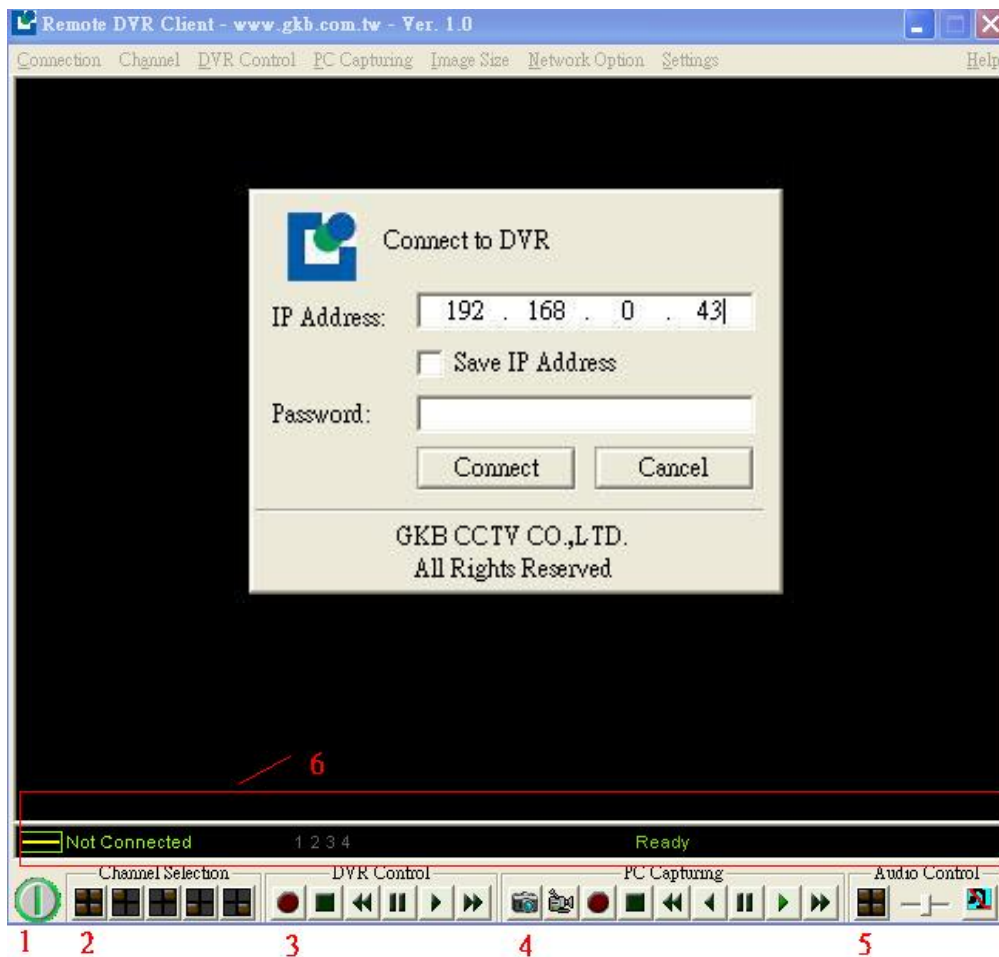
IP address:220.11.0.1

Port:14437-14438

Note: Only connect one DVR at a time with the connection software.
Avoid connecting DVRs simultaneously.

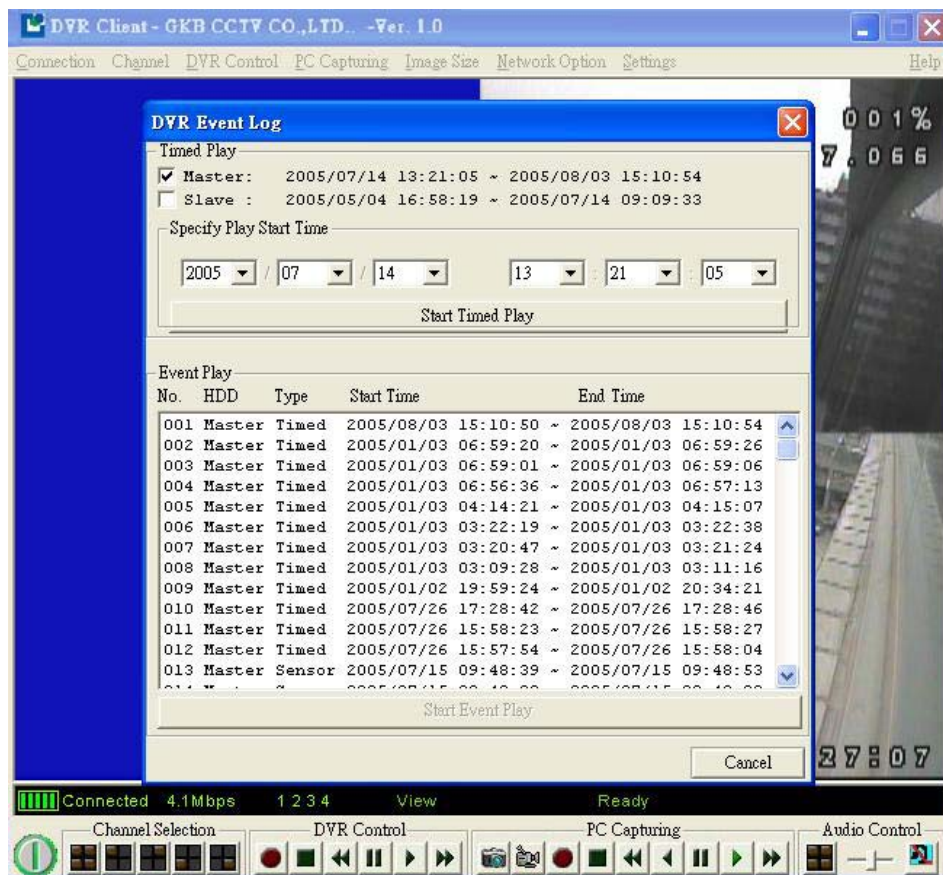
Remote Surveillance Software (DVR-401UNKA Only)

After installing internet connection software, you can remotely connect DVR.



1. On/Off line DVR	4. copy/play MYS file transfer to AVI file. Catch BMP file pictures
2. Channel selection	5. Audio selection
3. DVR Control button (Play button is for Even List under view mode.)	6. Status information

DVR control button: The operation is the same as it of DVR.



PC Capturing: The image in the screen can be stored, and copied to PC. Press PLAY button to play back the recorded images.

Audio Channel: Select the sound channel to be recorded.

Remote Monitor Settings

DVR Setting: Set record channel, record mode, record quality and frames.

The screenshot shows a window titled "DVR Management" with a close button in the top right corner. The window contains a "DVR Configuration" section with the following settings:

- Record Mode: EACH
- Record Quality: HIGH
- Record Frame Rate: 30 frames/sec
- Alarm Sounding Duration: OFF
- Sensor Recording Duration: 5 sec
- Audio Recording: ENABLED
- Speaker On/Off: SOUNDING
- Input Channel: Four checkboxes labeled 1, 2, 3, and 4. Checkboxes 1 and 2 are checked.
- Record Channel: Four checkboxes labeled 1, 2, 3, and 4. Checkboxes 1 and 2 are checked.

At the bottom of the window are three buttons: "Apply", "OK", and "Close".

DVR Record Schedule: Set record time schedule.

The screenshot shows a window titled "DVR Record Schedule Setup" with a close button in the top right corner. The window displays a grid of recording times for AM and PM. The AM section shows recording times from 12:00 to 11:00, all marked with a blue 'T'. The PM section shows recording times from 12:00 to 11:00, with 12:00-10:00 marked with a blue 'T' and 11:00 marked with a red 'S'.

AM											
12:00	T	01:00	T	02:00	T	03:00	T	04:00	T	05:00	T
06:00	T	07:00	T	08:00	T	09:00	T	10:00	T	11:00	T

PM											
12:00	T	01:00	T	02:00	T	03:00	T	04:00	T	05:00	S
06:00	T	07:00	T	08:00	T	09:00	T	10:00	T	11:00	S

At the bottom of the window are two buttons: "OK" and "Cancel".

DVR MD Setting

Set the displacement detection area for each channel. Use the mouse to move, enlarge or reduce the area to be detected. After completion, press APPLY. Then, press OK to leave setting.



Note:

When the remote system is on-line, if any of the DVR buttons is pressed, the DVR will be automatically off-line.

Video Record Time

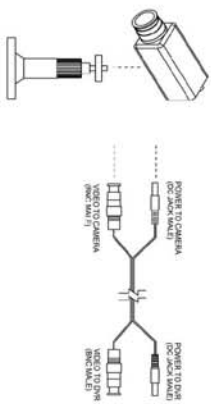
NTSC Format			30 fps	15 fps	7 fps
Video Signal	Display Format	Video Quality			
NTSC	Quad Screen	High	56 Hours	120 Hours	190 Hours
		Normal	68 Hours	140 Hours	240 Hours
		Low	78 Hours	176 Hours	270 Hours
	Each Screen	High	60 Hours	144 Hours	210 Hours
		Normal	70 Hours	150 Hours	248 Hours
		Low	80 Hours	180 Hours	304 Hours
PAL Format			25 fps	12 fps	6 fps
Video Signal	Display Format	Video Quality			
PAL	Quad Screen	High	64 Hours	128 Hours	220 Hours
		Normal	80 Hours	150 Hours	252 Hours
		Low	90 Hours	186 Hours	284 Hours
	Each Screen	High	70 Hours	150 Hours	230 Hours
		Normal	76 Hours	162 Hours	264 Hours
		Low	90 Hours	192 Hours	312 Hours

- The above table assumes a HDD capacity of 160Gb.
- Recommended HDD manufacturers : Maxtor , Seagate

Specification

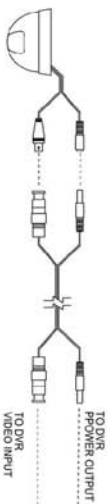
Image Compression		Advanced M-JPEG	
Video Signal		NTSC	PAL
Image Resolution		720 X 480	720 X 576
Display Rate Display Rate		120 fps (4 x 30) fps)	100 fps (4 x 25)
Video Record Resolution	Each Mode	320 x 112	320 x 136
	Quad Mode	640 x 224 (total)	640 x 272 (total)
Frame Rate	Each Mode	7.5 fps	6.25fps
	Quad Mode	30 fps	25 fps
Video Recording Mode		Continuous / Schedule / Alarm / Motion	
Display Mode		Full Screen / Quad	
Video Input		4 x BNC, 1.0Vp-p 75Ω	
Audio Input		4CH RCA set by DVR software. Sound REC: Select 1 CH photograph	
Audio Output		1CH RCA	
Video Output		2 x BNC, 1.0Vp-p 75Ω , 1 x S-Video	
Quick Search		Yes	
Displacement Detect		Sensibility adjustable/,Set detect area for each channel displacement	
Events		128	
Quick Playback		Yes	
Copy		HDD, USB 2.0	
Search Mode		Time, Date	
Alarm Input		4 x Alarm Input, N-O or N-C type, TTL Input	
Alarm Output		1x Alarm Output , N-O type, TTL Output	
Buzzer		Set ON OFF	
Network		TCP/IP RJ45, Supports Fixed IP, PORT changeable, Connect up to 7 x DVR's on an Intranet	
Power		12V DC	
Temperature		-10°C ± 50°C (40°F to 122°F)	
Weight		4 Kg	

CCD CAMERA + CABLE + DVR = EASY INSTALLATION CCTV KIT

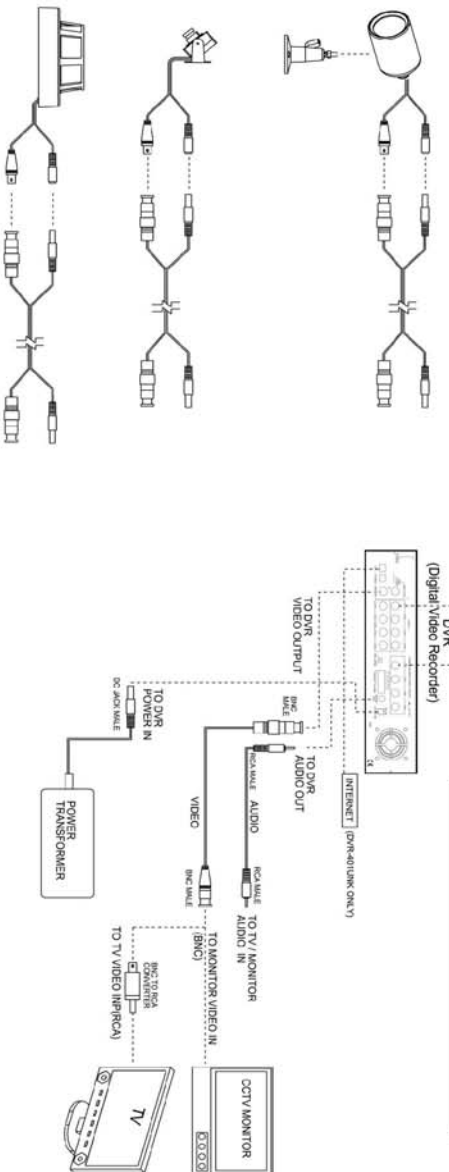


**5 STEP
EZ INSTALLATION**

PLUG & PLAY



CONNECTION ILLUSTRATION



Camera	Shape	Usage
Model No.		
GR-9271BK	Box Camera	Indoor
GR-9274B	Dome Camera	Indoor / Outdoor
GR-9277BIBK	Day & Night Camera	Indoor
GR-9216B	Mini Camera	Indoor
GR-9234B	Smoke Detector Camera	Indoor

DIY Cable	25 feet (7.6 meters) DIY Cable
CW-25BMBM	
CW-50BMBM	50 feet (15.2 meters) DIY Cable
CW-100BMBM	100 feet (30.5 meters) DIY Cable

DVR	Advantages
Function	See four places at the same time
Quad Screen	Save HDD Space
Motion Detection REC	Download Image to PC
USB	Combine with home alarm system
Alarm System Input	Watch & Listen
*One Audio Recording	See from remote when travelling
*Tranzenes Connection	

MADE IN TAIWAN

* Available in DVR-410/UNK ONLY



**EASY SECURITY SOLUTION FOR
SMALL OFFICE / FACTORY / HOUSEHOLD**

- FOUR PICTURES IN ONE SCREEN
- WATCH & RECORDING
- EASY OPERATION BY ON SCREEN DISPLAY
- ONE POWER PLUG NEEDED ONLY
- ALARM SYSTEM COMPATIBLE
- SEE YOUR HOME FROM YOUR OFFICE (ONLY)-DVR-401UNKA ONLY

PACKAGE CONTENT:

- DVR SERVER
- POWER TRANSFORMER
- USB DATA TRANSFER CABLE
- VIDEO OUTPUT CABLE TO TV
- BNC TO RCA CONNECTOR
- SOFTWARE CD

CAUTION:
 ⚠ YOU MAY NEED TO BUY HARD DISK DRIVE FOR THIS KIT.

⚠ THIS PACK DOES NOT INCLUDE COD CAMERA AND CABLE ACCESSORIES.
 PLEASE CONTACT YOUR LOCAL DISTRIBUTOR.

Appendix I \ Camera Selections



Box Camera outlook frighten burglars and robbers

Advantages : Able to change different lens to adapt different viewable angle demand



Dome Camera outlook is suitable for interior space

Advantages : Small round case attracts less attention interiorly.



Waterproof Day & Night Camera

Provide you security Day & Night, Indoor & Outdoor

Advantages : Day & Night Weatherproof Camera



Smoke Detector Shape Camera

Provide you a convert surveillance choice. Hide in smoke detector case, the camera still provides you excellent image quality.

Advantages : Convert Camera



Mini Camera

The compact size of mini camera is easy to install

Advantages : Can go with Pin Hole Lens for secret surveillance.